

BY-PASS DAMPER RBP

REV 00



Application areas

RBP is a 3 way damper designed to run the energy recovery in exhaust gas of co-generation power station equipped with Diesel engine, gas engine or gas turbine. Its design with two mechanically bonded butterflies makes it very efficient in regulation mode.

- Current temperature around 550 °C
- Current pressure up to 600 mm of WK

Construction

- One T shaped body and three connecting flanges
- Two butterflies connected by two connecting rods and an adjustable rod; they work in opposite directions : when one closes, the other one opens
- Two drive shafts
- Two shafts opposite to the drive
- Guiding of the shafts by self adjusting ball bearings fitted on a specific support
- Shaft sealing by gland type stuffing box
- Reinforcement between flanges with lifting points
- Standard painting: one layer of primer; other systems on demand

Materials (examples)

According to temperature:

- Body and butterflies: Boiler carbon steel, Stainless steel 304L, 321
- Shafts: Stainless steel 304L, 321

Upstream / downstream tightness

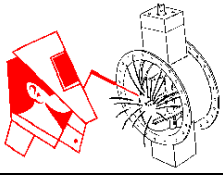
Butterfly in contact with :

- Square or triangular metal profile
- Ceramic fibre tress
- Flexible metal blades
- No contact ; peripheral clearance

Leakage rate calculation on demand

Actuation

- Electrical with manual steering wheel
- Pneumatic double and single acting
- Hydraulic
- Manual
- Shut off or regulation
- Limit switches or position transmitter

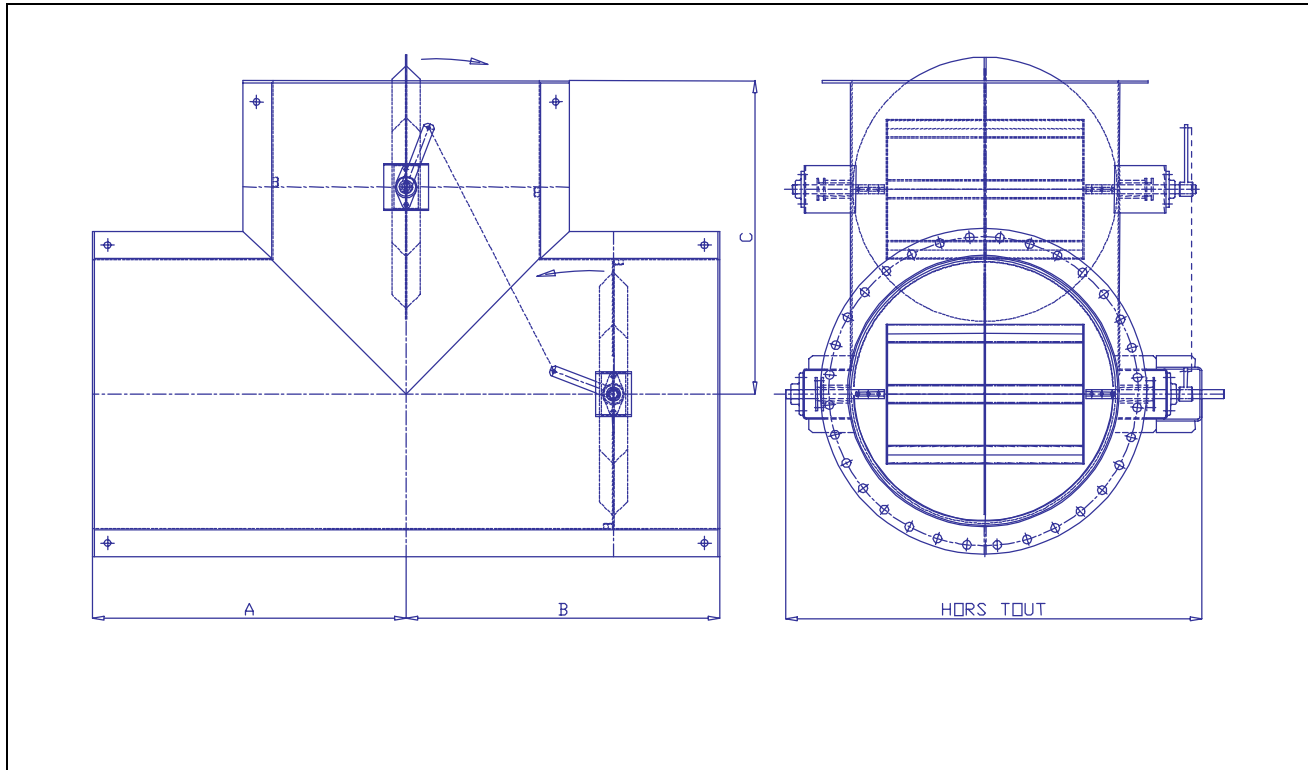


CCMG

*Hot gases dampers and valves
Regulation and isolation
Designer and constructor*

BY-PASS DAMPER RBP

REV 00



| ND | A | B | C | Out ^{side} Ø | Overall | Holes Qty | Holes Ø | Drilling Ø |
|------|------|------|------|-----------------------|---------|-----------|---------|------------|
| 300 | 300 | 450 | 450 | 410 | 950 | 12 | 16 | 365 |
| 400 | 350 | 550 | 550 | 510 | 1050 | 12 | 16 | 465 |
| 500 | 400 | 650 | 650 | 610 | 1150 | 20 | 16 | 565 |
| 600 | 450 | 750 | 750 | 710 | 1250 | 20 | 16 | 665 |
| 700 | 500 | 850 | 850 | 830 | 1350 | 24 | 16 | 780 |
| 800 | 550 | 950 | 950 | 930 | 1460 | 24 | 16 | 880 |
| 900 | 600 | 1050 | 1050 | 1030 | 1560 | 24 | 16 | 980 |
| 1000 | 700 | 1200 | 1200 | 1150 | 1660 | 24 | 16 | 1090 |
| 1100 | 750 | 1300 | 1300 | 1250 | 1760 | 28 | 20 | 1190 |
| 1200 | 800 | 1400 | 1400 | 1350 | 1860 | 28 | 20 | 1290 |
| 1300 | 850 | 1500 | 1500 | 1450 | 1960 | 28 | 20 | 1390 |
| 1400 | 900 | 1600 | 1600 | 1550 | 2060 | 28 | 20 | 1490 |
| 1500 | 950 | 1750 | 1750 | 1675 | 2160 | 28 | 20 | 1600 |
| 1600 | 1000 | 1850 | 1850 | 1775 | 2280 | 28 | 20 | 1700 |
| 1700 | 1050 | 2000 | 2000 | 1875 | 2380 | 28 | 20 | 1800 |
| 1800 | 1100 | 2100 | 2100 | 1975 | 2480 | 28 | 20 | 1900 |
| 1900 | 1150 | 2200 | 2200 | 2075 | 2580 | 28 | 20 | 2000 |
| 2000 | 1250 | 2300 | 2300 | 2220 | 2680 | 32 | 22 | 2120 |

CCMG can also design to customer's dimensions : ND & connecting pattern

This specification can be modified without notice ; only the general arrangement drawing of the order is contractual